

TECHNICAL SPECIFICATION

DESICCANT ROTORS INTERNATIONAL PVT LTD.

ARCTIC INDIA HOUSE, 20, RAJPUR ROAD, DELHI - 110054 (INDIA)

PHONE : 91-11-23906666 FAX: 91-11-23906600

E-MAIL: dri@pahwa.com, Website : drirotors@pahwa.com



ECOCOOL COOLING MODULES SERIES (ECM 600-600 TO 2900-2100)

ECOCOOL MODULE (ECM SERIES) COMES WITH **ECOCOOL™** EVAPORATIVE COOLING PAD
ALL ECM SERIES UNIT HAVE THE FOLLOWING OUTSTANDING FEATURES

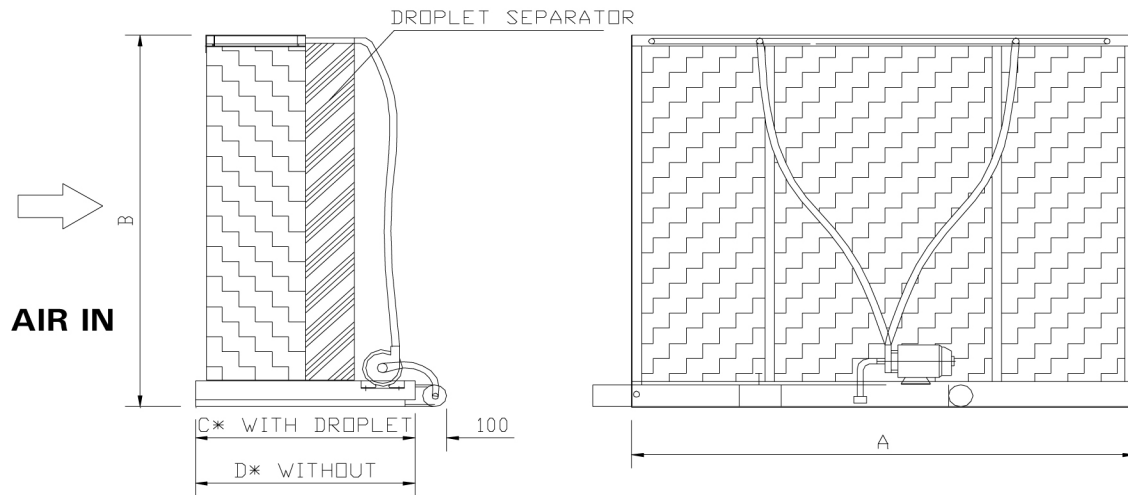
High efficiency and reliability

- * CNC Manufacturing 18 G Stainless Steel Casing with 16 G SS frame.
- * High efficiency (95%+) long life ECOCOOL pads.
- * High volume low head Pump
- * Provided with make up & drain water pipe line.

POWER REQUIREMENT

ECM 600-600 TO ECM 1200-1200	90 Watt, 230V/1PH/50HZ
ECM 1500-1500 TO ECM 1800-1800	180 Watt, 230V/1PH/50HZ
ECM 2100-2100 TO ECM 2400-2400	370 Watt, 230V/1PH/50HZ
ECM 2900-2100*	370 Watt, 230V/1PH/50HZ

ECOCOOL COOLING MODULES FOR AHU'S



OPTION AVAILABILITY

Dump valves	AVAILABLE ON REQUEST
Dump valve timers	AVAILABLE ON REQUEST
Pre Filter	AVAILABLE ON REQUEST

ALL DATA SUBJECT TO CHANGE WITHOUT NOTICE



Engineering Data Sheet For Standard Cooling Modules

S No,	Model Number	A	B	C	D	ECM - 60% D = 100 Weight (kg)		ECM - 85% D = 200 Weight (kg)		ECM - 95% D = 300 Weight (kg)			
						Wet	dry	Wet	dry	C	D	Wet	dry
						1	ECM 600-600	600	600	775	575	48	25
ECM 600-900	900	54	29	63	33		77		36				
ECM 600-1200	1200	57	31	70	36		88		42				
2	ECM 900-600	900	600	775	575	66	32	76	36	875	675	92	43
	ECM 900-900		900			73	35	86	42			110	51
	ECM 900-1200		1200			80	39	100	47			128	58
3	ECM 1200-600	1200	600	775	575	84	39	97	45	875	675	117	53
	ECM 1200-900		900			92	43	110	51			142	62
	ECM 1200-1200		1200			101	46	127	57			163	70
4	ECM 1500-900	1500	900	775	575	113	53	136	62	875	675	175	74
	ECM 1500-1200		1200			124	56	156	68			202	87
	ECM 1500-1500		1500			135	61	175	78			229	99
	ECM 1500-1800		1800			147	66	196	87			261	112
	ECM 1500-2100		2100			155	70	217	97			315	135
	ECM 1500-2400		2400			165	75	233	105			315	135
5	ECM 1800-900	1800	900	775	575	130	55	156	67	875	675	204	84
	ECM 1800-1200		1200			147	65	186	81			240	100
	ECM 1800-1500		1500			161	70	206	90			272	114
	ECM 1800-1800		1800			174	77	231	101			309	130
	ECM 1800-2100		2100			182	81	256	112			230	143
	ECM 1800-2400		2400			195	87	275	120			372	156
6	ECM 2100-1200	2100	1200	775	575	172	75	217	95	875	675	279	118
	ECM 2100-1500		1500			186	81	241	106			317	133
	ECM 2100-1800		1800			202	89	270	119			361	152
	ECM 2100-2100		2100			212	94	298	130			398	168
	ECM 2100-2400		2400			227	100	321	141			435	184
7	ECM 2400-1200	2400	1200	775	575	193	83	243	105	875	675	315	130
	ECM 2400-1500		1500			210	90	271	117			358	147
	ECM 2400-1800		1800			227	98	304	131			407	168
	ECM 2400-2100		2100			238	103	337	144			448	186
	ECM 2400-2400		2400			255	111	362	155			491	204
8	ECM 2900-2100	2900	2100	775	575	270	122	384	170	875	675	535	254

ALL DATA SUBJECT TO CHANGE WITHOUT NOTICE



EcoCool Cooling Modules

Product Selection Chart, ECM 600-600 to 2900-2100

