

MODEL 8915

FOR LADEN CONTAINER HANDLING WITH
MOBILE HARBOR CRANES



Standard supply includes:

- One or two pin mounting to fit crane hook
- Four pendular ISO twistlocks
- Lifting eyes near twistlocks
- Hydraulic telescoping system
- Hydraulic center of gravity adjustment
- Hydraulically and mechanically controlled stop pins
- Solenoid valves for all hydraulic functions
- Six hydraulic side flippers
- Electrical and mechanical twistlock protection and indication system
- Electric telescoping protection system
- Lift interrupt signal
- LED indication lights

Spreader Model 8915 is a telescopic top spreader for handling of laden ISO containers up to 41 tonnes. 8915 is designed for mounting on Mobile Harbour Cranes.

The strong and basic concept offers distinct advantages, such as two parallel telescopic beams, assuring max overlap. Beam sections dimensioned to absorb not only the vertical, but also the very considerable horizontal forces.

TWISTLOCK SYSTEM

The twistlock system is manufactured in a rugged design and is well-proven since many years. 8915 is equipped with hardened, pendular ISO quick exchange twistlocks, hydraulically activated with electrical and mechanical interlocking against faulty locking and unlocking.

TELESCOPING SYSTEM

Telescoping is powered by one hydraulic cylinder inside each beam.

CENTER OF GRAVITY ADJUSTMENT

The center of gravity adjustment is executed by one hydraulic cylinder on top of the mainframe.

FLIPPER SYSTEM

The six side flippers are each powered by two hydraulic cylinders mounted well protected.

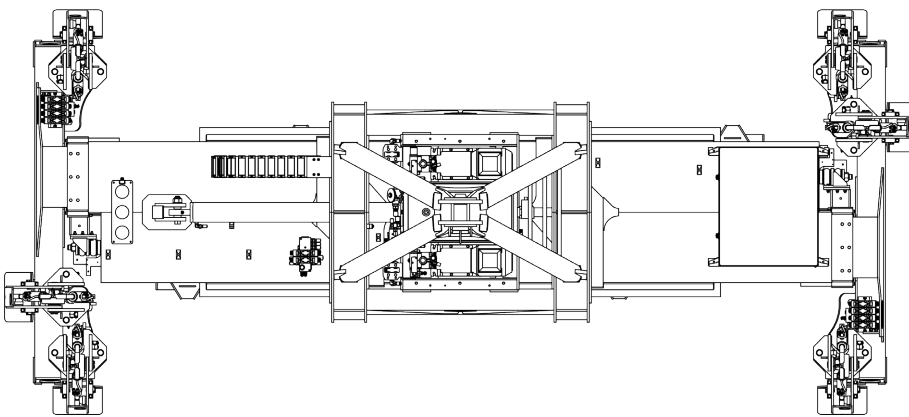
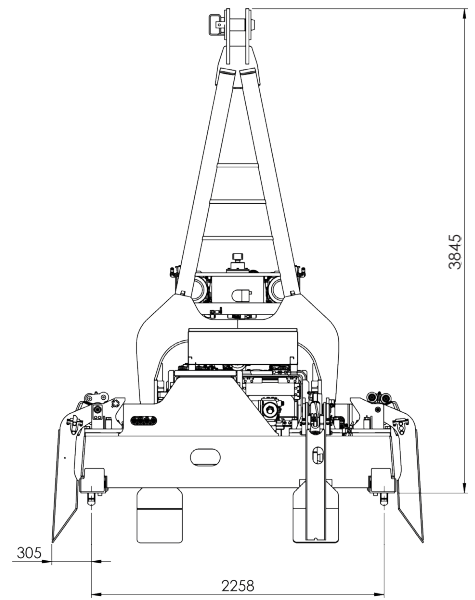
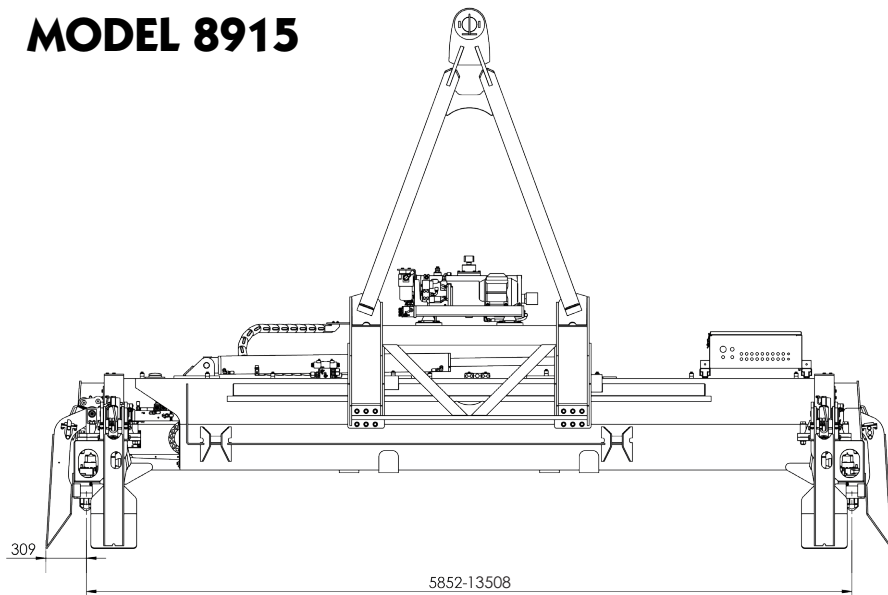
HYDRAULIC SYSTEM

Double electric motor and pump assemblies assure simultaneous telescoping of both beams. The spreader can be operated with one electric motor and pump.

CONTROL AND PROTECTION SYSTEM

The control voltage on the spreader is always converted to 24V DC for safety and reliability. Electrical systems monitor the state of the spreader at all times. Indicator lights advise the operator when the spreader is correctly seated, locked or not locked. Each signal is a precondition for the important protection functions of the spreader, such as twistlock activation, telescoping and lift interrupt.

MODEL 8915



8915



Power pack.



Side flippers.

TECHNICAL SPECIFICATIONS

Type of application	Mobile Harbour Cranes
Spreader weight (TW)	11 400 kgs without extra equipment
Lifting capacity (SWL), spreader	41 tonnes \pm 10 % eccentric load
Lifting capacity (SWL), lifting eyes	4 x 10 tonnes
Twistlock	ISO pendular 20 mm
Gathering torque down, theoretically	3105 Nm
Overload torque up, theoretically	4657 Nm
Telescopic positions	20, 30, 40, 45ft
Telescoping speed from 20-45ft	< 32 sec.*
Gravity adjustment +/- 800 mm	< 28 sec.*
Hydraulics, operating pressure up to	140 bar
Hydraulics, flow / tank volume	46 L/min (2x23) / 90 L
Power supply	400 VAC/50 HZ
Electrical motors	2 x 4 kW
Electric - control voltage	24 VDC
Colour	Signal yellow RAL 1003
Paint thickness	220 μ

* Calculated speed at 20° C

All specifications are subject to change without notice. A list of options enables you to adapt the product more precisely to your needs and further information is available on request.

HEAD QUARTER AND PRODUCTION

ELME Spreader AB

Phone +46 476 558 00
Email sales@elme.com
Website www.elme.com

SALES AND SPARE PARTS

ELME Spreader Trading (Shanghai) Co., Ltd

Phone +86 21 5169 8922
Email sales.cn@elme.com

SPARE PARTS

ELME Americas Inc.

Phone +1 731 588 02 20
Email sales.us@elme.com

For details, spare parts and more products, visit www.elme.com

ELME™
Swedish Spreader Systems