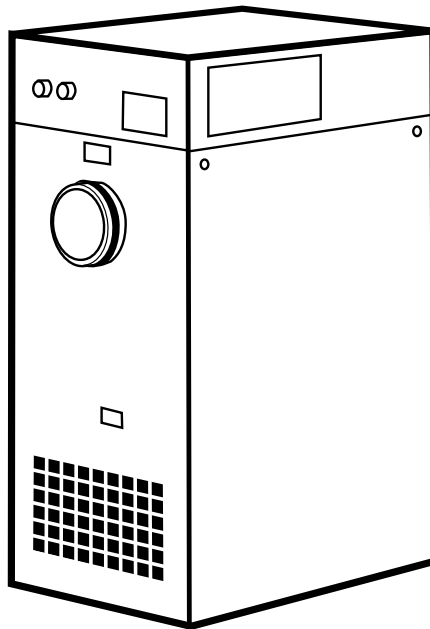


Original instructions

User manual

IceDry 1400



Desiccant dehumidifier

190TGB-1037-H1804

© Munters Europe AB 2018

Important user information

Intended use

Munters dehumidifiers are intended to be used for the dehumidification of air. Any other use of the unit, or use which is contrary to the instructions given in this manual, can cause personal injury and damage to the unit and other property.

No modification of the unit is allowed without prior approval by Munters. Attachment or installation of additional devices is only allowed after written agreement by Munters.

Warranty

The warranty period is valid from the date the unit left our factory, unless otherwise stated in writing. The warranty is limited to a free exchange of parts or components which have failed as a result of defects in materials or workmanship.

All warranty claims must include proof that the fault has occurred within the warranty period and that the unit has been used in accordance with the specifications. All claims must specify the unit type and fabrication number. This information is stamped on the identification plate, see section *Marking*.

It is a condition of the warranty that the unit for the full warranty period is serviced and maintained by a qualified Munters engineer or Munters approved engineer. Access to specific and calibrated test equipment is necessary. The service and maintenance must be documented for the warranty to be valid.

Always contact Munters for service or repair. Operating faults can occur if the unit is maintained insufficiently or incorrectly.

Safety

Information about dangers are in this manual indicated by the common hazard symbol:



WARNING!

Indicates a possible danger that can lead to personal injury.



CAUTION!

Indicates a possible danger that can lead to damage to the unit or other property, or cause environmental damage.

NOTE! *Highlights supplementary information for optimal use of the unit.*

Conformity with Directives

The dehumidifier is in conformity with the essential safety requirements of the Machinery Directive 2006/42/EC, and in conformity with the provisions of the Ecodesign Directive (ErP) 2009/125/EC, and of the EMC Directive 2014/30/EU. The dehumidifier is manufactured by an organization certified according to ISO 9001 and ISO 14001.

Copyright

The contents of this manual can be changed without prior notice.

NOTE! *This manual contains information which is protected by copyright laws. It is not allowed to reproduce or transmit any part of this manual without written consent from Munters.*

Munters Europe AB, P.O. Box 1150, SE-16426 KISTA Sweden

Table of contents

Important user information	ii	4.7 Installation examples — cold storage room (freezer)	11
Intended use	ii	4.8 Electrical connections	13
Warranty	ii	4.9 Pre-start settings	14
Safety	ii	4.10 Pre-start checks	14
Conformity with Directives	ii	4.11 Airflow check and adjustment	15
Copyright	ii		
Table of contents	iv	5 Operation	16
1 Introduction	1	5.1 General	16
1.1 General	1	5.2 Safety	16
1.2 About this manual	1	5.3 Quick stop	16
1.3 Safety and cautions	1	5.4 Operator panel	17
1.4 Marking	3	5.5 Operating the unit	19
1.5 Supervision of operation	3	5.5.1 General	19
1.6 Fault indications	3	5.5.2 Start	19
2 Product design	4	5.5.3 Restart after power failure	19
2.1 Product description	4	5.5.4 Stop	20
2.2 Principle of operation	4	6 Service and maintenance	21
3 Transport, inspection and storage	5	6.1 Safety	21
3.1 Moving the equipment	5	6.2 General	21
3.2 Packaging and delivery inspection	5	6.3 Service options	21
3.3 Storing the equipment	5	6.4 Extended warranty	21
4 Installation	6	6.5 Service and maintenance schedule	22
4.1 General	6	7 Fault tracing	24
4.2 Safety	6	7.1 General	24
4.3 Site requirements	7	7.2 Safety	24
4.4 Mirror handed duct connections	7	7.3 Fault tracing list	24
4.5 Where to install the dehumidifier	8	8 Technical specification	26
4.6 Ducting	8	8.1 Dimensions and service space	26
4.6.1 General recommendations	8	8.2 Technical data	27
4.6.2 Process air inlet	9	8.3 Sound data	28
4.6.3 Dry air outlet duct	9	9 Scrapping	29
4.6.4 Reactivation air intake	9	10 Contact Munters	31
4.6.5 Ductwork for wet air outlet	10		

1 Introduction

1.1 General

Munters manufactures a wide range of efficient dehumidifiers designed for different uses and applications. Please contact your nearest Munters office if you have any questions regarding the installation of your dehumidifier, or visit the web site at www.munters.com.

The unit is inspected and checked prior to leaving the factory to guarantee consistent quality and maximum reliability. For product data, see section *Technical specification*.

1.2 About this manual

This manual is written for the user of the dehumidifier. It contains necessary information for how to install and use the dehumidifier in a safe and efficient way. Read through the manual before the unit is installed and used.

1.3 Safety and cautions

Every measure has been taken in the design and manufacture of the dehumidifier to ensure that it meets the safety requirements of the directives and standards listed in the EC Declaration of Conformity.

The information in this manual includes suggestions for best working practice and shall in no way take precedence over individual responsibilities or local regulations.

During operation and other work with a machine it is always the responsibility of the individual to consider:

- The safety of all persons concerned.
- The safety of the unit and other property.
- The protection of the environment.

For information about the safety symbols used in this manual, see section *Important user information*.

**WARNING!**

- *The unit is not intended for use in hazardous (classified) areas where explosion safety compliant equipment is required.*
- *The unit must not be splashed with or immersed in water.*
- *Do not connect the unit to other mains voltage than specified on the unit's identification plate, see section Marking.*
- *The mains power supply is permanently connected to the main power switch of the unit.*
- *Do not operate the unit near any heat-generating devices or flammable and dangerous materials.*
- *Do not insert fingers or any other objects into the air vents.*
- *All electrical installations must be carried out by a qualified electrician and in accordance with local regulations.*
- *The dehumidifier can restart automatically after a power cut. Always set and lock the main power switch in the OFF position before carrying out any service work.*
- *Use only approved lifting equipment to prevent accidents.*
- *Always contact Munters for service or repair.*

1.4 Marking

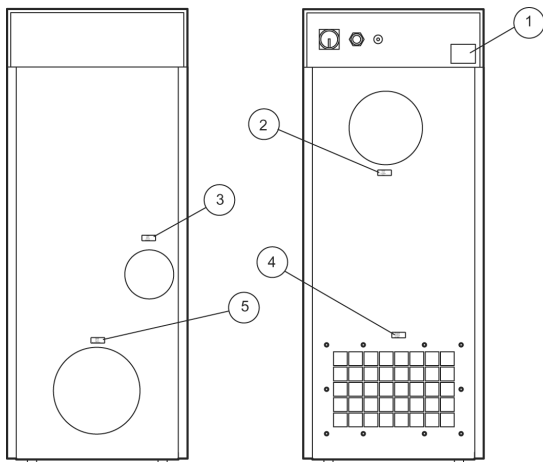
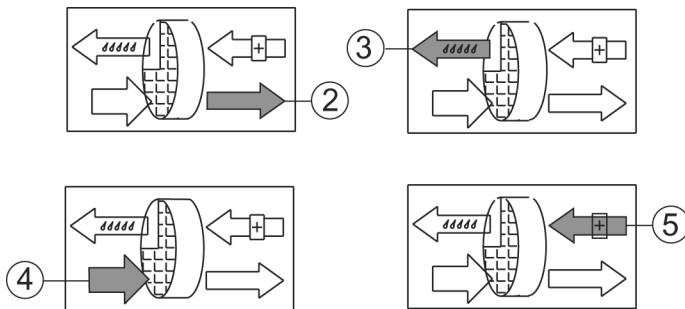


Figure 1.1 Location of labels



- | | |
|---------------------------|----------------------|
| 1. Identification plate | 2. Dry air outlet |
| 3. Wet air outlet | 4. Process air inlet |
| 5. Reactivation air inlet | |

1.5 Supervision of operation

The dehumidifier is controlled and monitored from the operator panel located on the front of the unit.

1.6 Fault indications

Faults are clearly indicated on the operator panel. The flashing LEDs indicate which component that requires attention for maintenance or replacement.

2 Product design

2.1 Product description

The desiccant dehumidifiers in the IceDry series have been developed to effectively dehumidify the air in cold stores in order to minimise frost and ice build-up

The dehumidifier is equipped with an encapsulated rotor unit. The rotor casing is constructed of durable thermoset plastic and contains isolated sections that provide a precise balance for the dehumidification, reactivation and heat recovery airflows.

The electrical control system complies with the EN60204 (IEC60204) standards. For operating temperature, see section 8.2, *Technical data*.

The dehumidifier is manufactured in accordance with uniform European standards and established requirements for CE-marking.

2.2 Principle of operation

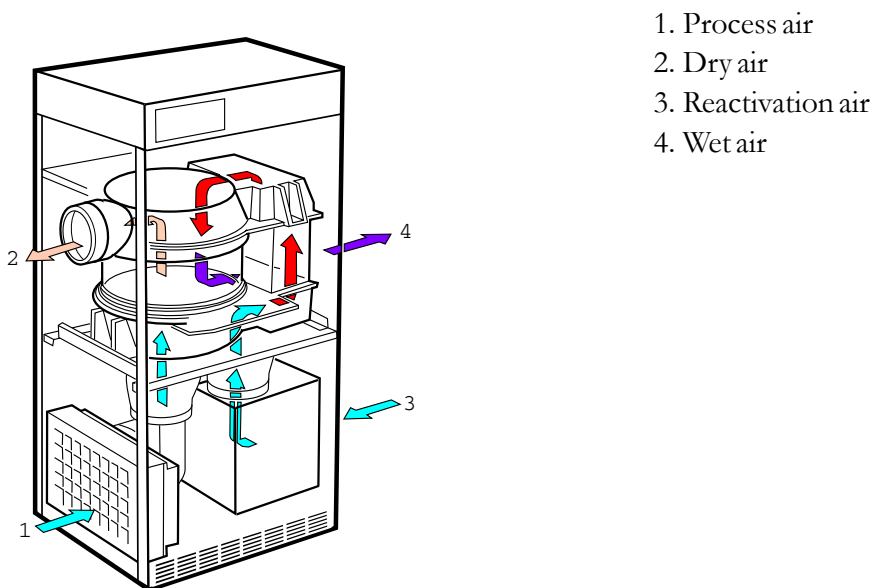


Figure 2.1 Principle of operation

The desiccant rotor is made of a composite material that is highly effective in attracting and retaining water vapour. The rotor is divided in two zones. The air flow to be dehumidified, **process air**, passes through the rotor's largest zone and then leaves the rotor as **dry air**. Since the rotor rotates slowly, the incoming air always meets a dry zone on the rotor, thus creating a continuous dehumidification process.

The air flow that is used to dry the rotor, **reactivation air**, is heated. The reactivation air passes through the rotor in the opposite direction to the process air and leaves the rotor as **wet air** (warm, moist air). This principle enables the dehumidifier to work effectively, even at freezing temperatures.

3 Transport, inspection and storage

3.1 Moving the equipment

The dehumidifier is delivered on a pallet and must be handled carefully. All panel doors on the unit must be closed during transport. Provided that the dehumidifier is still secured to its delivery pallet, it can be moved using a fork-lift truck.

Weight of the dehumidifier can be found in section 8, *Technical specification*.

3.2 Packaging and delivery inspection

1. Check the delivery against the delivery note, order confirmation or other delivery documentation and check that everything is included and nothing is damaged.
2. Contact Munters immediately if the delivery is not complete in order to avoid installation delays.
3. If the unit is to be put into storage prior to installation, see section *Storing the equipment*.

NOTE! *If installation is not to be carried out immediately after arrival of the equipment, it is advisable to leave the packaging material in place on the dehumidifier, or to re-use the packaging material to provide temporary protection for the unit during later transportation to the site and during installation.*

4. Remove all packaging material from the unit, check carefully to make sure that no damage has occurred during transportation.
5. Any visible damage must be reported in writing to Munters within 3 days and prior to installation of the unit.
6. Dispose of the packaging material according to local regulations.

NOTE! *G3 filter cartridges for process and reactivation air are included in the delivery. One cartridge is mounted on the dehumidifier process air inlet and one on the outside of the cold-storage room, in the reactivation air inlet.*

3.3 Storing the equipment

The following is important if the dehumidifier is to be stored prior to installation:

- Place the dehumidifier in an upright position on a horizontal surface.
- Protect the dehumidifier from physical damage.
- Store the dehumidifier under cover and protect it from dust, rain and aggressive contaminants.

4 Installation

4.1 General

IceDry dehumidifiers are intended for installation in cold stores with ambient air down to minus 25 °C. These conditions require that installation instructions are followed carefully as faulty installation can result in serious operational disturbances.

If the unit is to be put into storage prior to installation, see section 3.3, *Storing the equipment*.

4.2 Safety

**WARNING!**

All electrical installations must be carried out by a qualified electrician and in accordance with local regulations.

**WARNING!**

The mains power supply is permanently connected to the main power switch of the unit. Adjustments, maintenance and repairs must only be carried out by authorised personnel.

**WARNING!**

The wet air outlet is hot. To avoid burns from unintended contact, make sure it is insulated.

**CAUTION!**

The built-in heater requires a continuous power supply to prevent functional disorder. Only switch off the unit's power in case of emergency.

**CAUTION!**

Condensation is easily formed on the inside of the duct due to the high humidity of the reactivation air. To avoid condensation, the ductwork must be insulated

**CAUTION!**

Activate the main switch for the dehumidifier as soon as the unit has been installed. This allows the built-in heater to operate and prevents internal ice formation.

**CAUTION!**

Before starting the unit, the reactivation air inlet and wet air outlet must be thoroughly checked. Any ice must be removed. To avoid malfunction, it is important to have clear air passage throughout the ductwork.

**CAUTION!**

If the process airflow damper is fully open, the high cold air density in the cold-storage room could damage the process air fan.

**CAUTION!**

Failure to correctly adjust the process and reactivation airflows could cause the unit to malfunction.

4.3 Site requirements

The dehumidifier is adapted to operation inside cold stores. The permitted operational temperatures are from minus 25 to 0 °C. It is important that the intended installation site meets the location and space requirements for the equipment in order to achieve the best possible performance and facilitate servicing. Therefore, comply with the recommended service spaces, see section 8.1, *Dimensions and service space*.

NOTE! *The unit must be removed from the cold store at certain service intervals. Have extra cables for unit connection available.*

4.4 Mirror handed duct connections

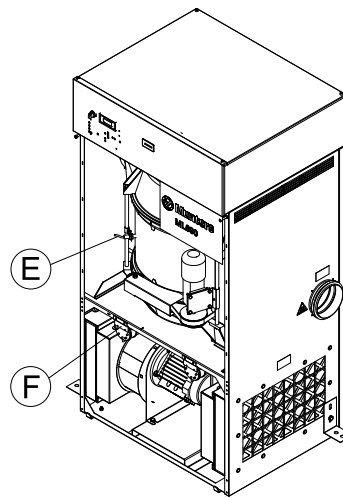
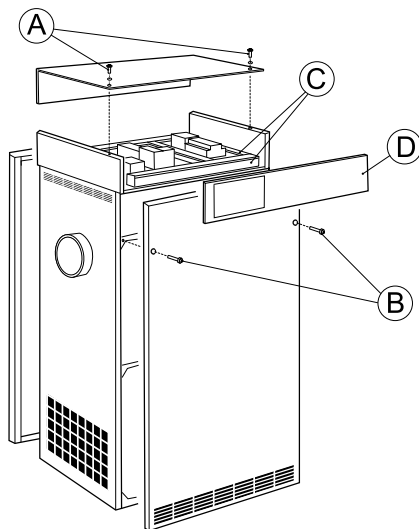
The front and back panels are interchangeable, so that the connections for process and dry air may be situated either on the left or right side of the unit.

The dehumidifiers are delivered with the process and dry air connections on the left side of the unit. If it is required to change the orientation, so that the connections are on the right side of the unit, proceed as follows.



WARNING!

Ensure that main power is isolated from the dehumidifier prior to changing the orientation of the process and dry air connections.



1. Remove the two bolts (B) securing the front panel and carefully remove the panel.
2. Remove the two bolts securing the rear panel and carefully remove the panel.
3. Remove the two bolts (A) and washers securing the control and top panels, then carefully remove the top panel.
4. Remove the cable duct covers (C), re-route the cables and fit the control panel (D) onto the opposite side of the unit. Refit the cable duct covers.

5. Loosen the rotor stop (E) and the two filter monitors (F). Remove the cable ties.
6. Fit the rotor stop and filter monitors on the opposite side of the unit. Tie the cables.
7. Fit the front, rear and top panels in their new positions.

4.5 Where to install the dehumidifier

Select a place where the dehumidifier causes the least disturbance to the cold-storage room activities, while allowing for maintenance work such as process filter replacement.

When the unit is installed on a base frame, the base frame must be designed in such a way that it can easily be removed from the cold store/freezer. Make sure openings for forklift are included.

The dehumidifier must be placed so that there is no risk of the process intake and filter icing up. Ice normally forms near the doors and air-locks of the cold store where warm, humid air flows in.

Install the dehumidifier in such a way that the reactivation air and wet air ducts are as short as possible, max 1.5 m. See section 4.7, *Installation examples — cold storage room (freezer)*.

4.6 Ducting

4.6.1 General recommendations

NOTE! *Vibration reduction. If there is a need to for reduction of vibrations from the dehumidifier, contact Munters for instructions. Refer to standard EN 1299+A1:2008.*

Due to the cold surroundings and risk of freezing, it is vital that all ducting are installed according to instructions. See also 4.7, *Installation examples — cold storage room (freezer)*.

To facilitate easy transfer of the dehumidifier out of the cold-storage room for service, all duct connections should be easily disassembled. Should the dehumidifier, despite this recommendation, be installed in such a way that it cannot be easily removed for service, it is important that the minimum service space requirements are met, see 8.1, *Dimensions and service space*. A vapour-tight connection between the wall and the duct is vital. Preferably, polyurethane foam should be used if the temperature is sufficiently high during application.

When installing ductwork between the dehumidifier and the inlet and outlet connections, the following recommendations should be observed:

- The length of ductwork should be kept as short as possible to minimise static air pressure losses.
- To maintain performance, all rigid process or reactivation air ductwork joints must be air and vapour tight.
- The design of the duct connections should facilitate easy disconnection of the unit for service outside the cold-storage room.
- Condensation easily builds up on the inside of the duct due to the high humidity of the reactivation air. To avoid condensation, the ductwork must be insulated.
- The process air ductwork should be insulated to prevent condensation from developing on the outside of the duct whenever the temperature of the air within the duct falls below the dewpoint of the ambient air through which the ductwork is routed.
- The wet air leaving the dehumidifier will easily cause condensation on the inside of the duct walls due to the high moisture content. This must be avoided by insulating the ducts.
- Ensure that access for operation and servicing is not restricted when designing and installing ducting. For more information, see section 8.1, *Dimensions and service space*.

- To reduce noise and/or vibration being transmitted along rigid ductwork, good quality, airtight flexible connections should be fitted.
- Ducts mounted directly onto the dehumidifier should be adequately supported to minimise the load and stress due to the weight and movement of the ducting.
- Dampers for balancing the air flow must be installed in the reactivation air inlet duct. Correct airflows are essential for maintaining the operating efficiency of the unit. For airflow adjustment details, see section 4.11, *Airflow check and adjustment*.
- Process air pressure and flow are adjusted using the process air fan's frequency converter. If this is the case, it is not necessary to have a damper in the dry air duct.
- The total resistance in the process and reactivation ductwork must not exceed the performance rating of the fans fitted in the dehumidifier. For details of minimum available static pressure, see chapter 8.2, *Technical data*.

4.6.2 Process air inlet

The dehumidifier has an external filter box for the process air inlet. If there is a risk of the process air filter icing up, a duct should be connected to retrieve process air from a dry location 5-10 metres from the door opening. The filter box can then be moved to the inlet side of the duct.

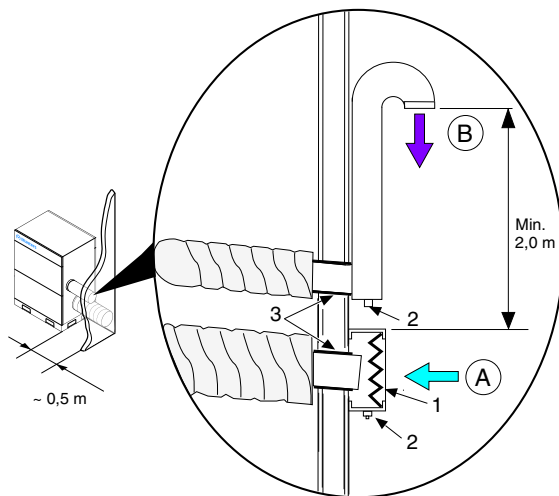
4.6.3 Dry air outlet duct

Channel out the dry air from the dehumidifier and distribute it so that it mixes with the warm, humid air that normally enters the cold store above the doors and air-locks that are opened regularly. Install an adjustable damper in the duct.

4.6.4 Reactivation air intake

Place the reactivation air intake and filter box outside the cold store. Mount the filter box directly on the wall. The duct to the dehumidifier reactivation air intake should be at most 1.5 metres long, and must be insulated to prevent ice build-up. This also applies to the section of duct passing through the wall. An adjustable damper is installed in the duct.

To prevent the outgoing wet air humidifying the incoming reactivation air, the reactivation air intake must be positioned at least 2 metres from the wet air outlet



- A. Reactivation air
- B. Wet air
- 1. Filter box
- 2. Condensate drains
- 3. Vapour-tight grommet

Figure 4.1 Inlet for reactivation air and outlet for wet air.

4.6.5 Ductwork for wet air outlet

The wet air duct must be made of plastic or another corrosion resistant material. It must be able to handle temperatures between $-30\text{ }^{\circ}\text{C}$ and $75\text{ }^{\circ}\text{C}$, be no more than 1.5 metres long and be insulated to prevent ice formation. This also applies to the part of the duct passing through the wall.

Because of its high moisture content the wet air leaving the dehumidifier will condense on the inside of the duct walls. Due to the low ambient temperature there is a risk of ice formation. The wet air duct must therefore be insulated.

- Horizontal ducts must be installed with a slight decline (away from the dehumidifier) to drain away possible condensation. The decline must be at least 2 cm/m of duct.
- 5 mm drain holes should be made at low points of the duct to prevent water accumulation in the duct.
- To prevent the outgoing wet air from humidifying the incoming reactivation air, the wet air outlet must be placed at least 2 metres from the reactivation inlet. See *Figure 4.1*.

NOTE! Always drill the drain holes on the outside of the cold storage/freezer room wall.



WARNING!

The wet air outlet is hot. To avoid burns from unintended contact, make sure it is insulated.

4.7 Installation examples — cold storage room (freezer)

Munters recommends the following installations. If in doubt, contact Munters for advice.

Note the service space requirements in section 8.1, *Dimensions and service space*.

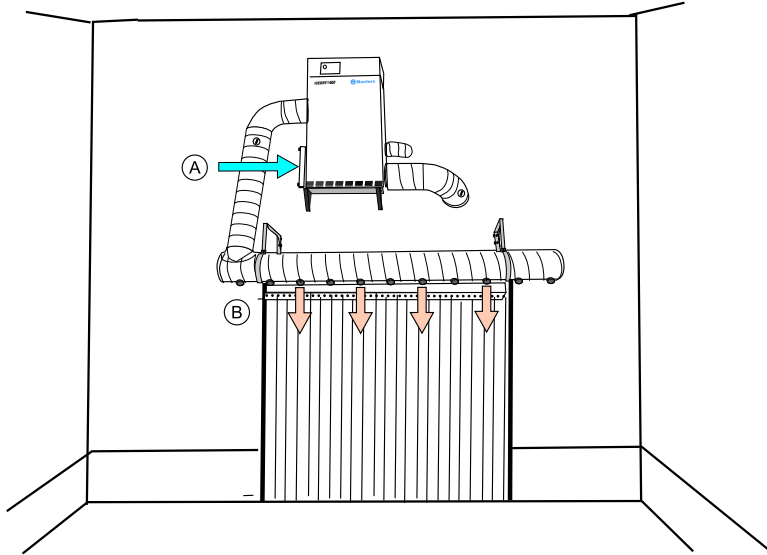


Figure 4.2 Position above door / air lock

A. Process air inlet

B. Dry air outlet

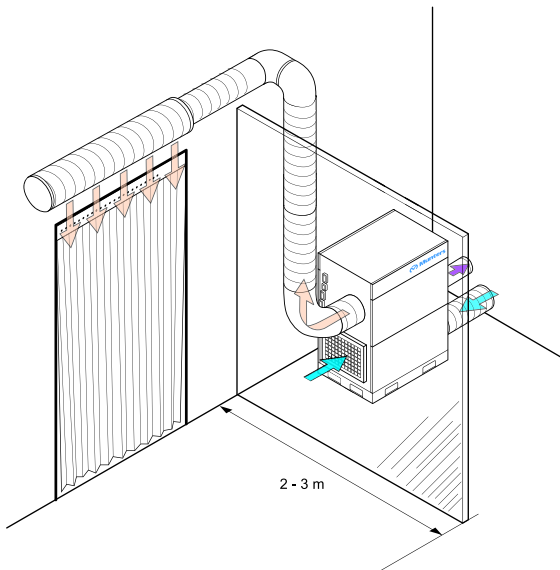


Figure 4.3 Position behind screen.

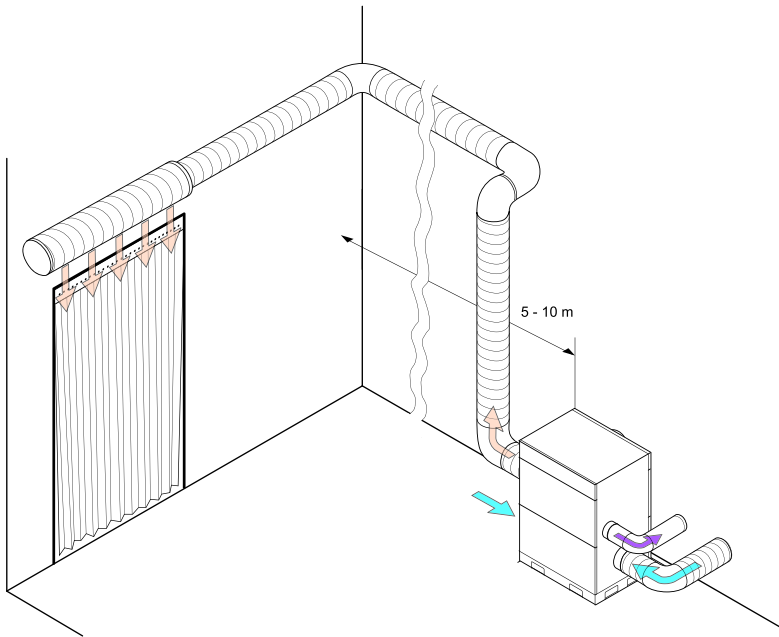


Figure 4.4 Position far away from door / airlock.

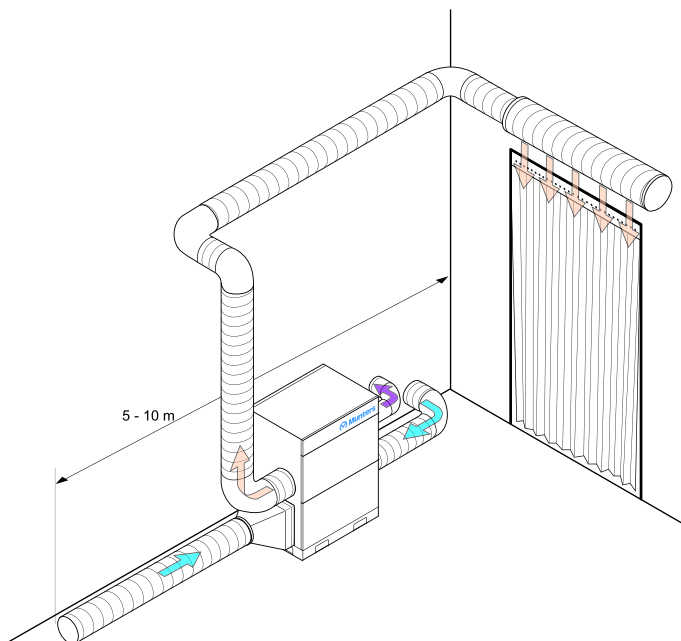


Figure 4.5 Process air duct far away from door / air lock.



CAUTION!

Activate the main switch for the dehumidifier as soon as the unit has been installed. This allows the built-in heater to operate and prevents internal ice formation.

The openings of inlet and outlet ducts must be well sealed during installation and operation stops, when the dehumidifier is normally switched off. This prevents ice formation in ducts and dehumidifier caused by unintended ventilation and low temperature in the cold-storage room.

4.8 Electrical connections



WARNING!

All electrical installations must be carried out by a qualified electrician and in accordance with local regulations.

All units are delivered complete with all internal cabling installed and configured to the voltage and frequency given on the ID plate.

NOTE! *Supply voltage must not vary more than 10% of the specified operating voltage.*

The unit must be adequately connected to earth.

For connection details, refer to the *ID plate*, Electrical circuit diagrams or section 8.2, *Technical data*. The connection cable and main fuses must be suitable to the unit being installed.

Connect the unit with a flexible cable to a wall mounted socket. This way the unit can easily be disconnected from the power supply by removing the plug from the socket.

4.9 Pre-start settings

On delivery the operational parameters are set for use in a cold store.

The application does not require the connection of external sensors or external input/output signals.

4.10 Pre-start checks



WARNING!

The main power supply is permanently connected to the main power switch of the unit. Adjustments, maintenance and repairs must only be carried out by authorised personnel.

Before starting the dehumidifier for the first time, ensure that the main power supply is isolated from the dehumidifier and carry out the following checks:

1. Make sure that the mode selector switch on the dehumidifier is in the **OFF** position. .
2. Make sure that the air intake filters are undamaged and properly fitted, and that all areas inside the unit are clean and free from ice.
3. Visually inspect all ducting and duct connections to make sure that all connections have been correctly installed and that there are no signs of damage to the system. Also check that all ducts are free from obstacles blocking the air passage.
4. Check that the incoming power supply voltage is correct and that the cables are correctly connected.
5. After connecting the process fan to power, check the fan turning direction.
6. Open the dehumidifier's front panel.
7. Start the dehumidifier and check that the fan is turning.
8. Switch off the dehumidifier and check the fan just before it stops. Make sure it has a clockwise rotation
9. Make sure that the unit's power supply and main switch are on as soon as the unit has been installed in the cold-storage room. If not, check if there is ice in the unit.
10. Set the damper for the reactivation airflow fully open.
11. Set the damper for the process airflow 50 % open.



CAUTION!

If the process airflow damper is fully open, the high cold air density in the cold-storage room could damage the process air fan.



CAUTION!

Before starting the unit, the reactivation air inlet and wet air outlet must be thoroughly checked. Any ice must be removed. To avoid malfunction, it is important to have clear air passage throughout the ductwork.

4.11 Airflow check and adjustment

Contact Munters Service for dehumidifier installation and adjustment. The addresses to Munters can be found on the back page of this manual.



CAUTION!

If the process and reactivation airflows are not properly adjusted, the unit can malfunction. The airflow must be set to maximum 10% above the specified nominal value listed in section 8.2, Technical data.

1. By adjusting the dampers installed in the dry air outlet and reactivation air inlet ducts, the process and reactivation airflows can be changed to the required setting.
2. Start the dehumidifier for approximately 10 minutes to allow the reactivation heater to reach its normal operating temperature. See section 5.5, *Operating the unit*.
3. Check that the temperature difference between reactivation air downstream of the heater, and the regeneration temperature is approx. 95 °C (tolerance limit is ± 5 °C).
4. If the temperature difference lies outside of the tolerance limit, the reactivation air damper can be adjusted in small steps (which causes the temperature indicator to stabilise after each adjustment) until reactivation temperature is within the specified tolerances.

Example:

Inlet air temperature = 15 °C

Reactivation air temperature = 110 °C

Temperature increase = 95 °C

5 Operation

5.1 General

The dehumidifier is equipped with an operator panel that contains mode switch and LED indicators. The mode switch of the operator panel has two operating modes:

MAN (Manual mode):

The dehumidifiers fans, rotor and reactivation heater operate continuously with full capacity.

AUT (Automatic mode) - not applicable.

5.2 Safety



WARNING!

In the case of a power cut, the dehumidifier will restart automatically when the power supply is restored.



CAUTION!

At initial start-up or when restarting after a service stop, the main power switch must have been on for at least 12 hours before starting. This is necessary to remove any ice build-up inside the unit.



CAUTION!

Before starting the unit, the reactivation air inlet and wet air outlet must be thoroughly checked. Any ice must be removed. To avoid malfunction, it is important to have clear air passage throughout the ductwork.



CAUTION!

To prevent damage to the fans, the unit must not be run for longer than a few minutes prior to setting-up the process and reactivation airflows.



CAUTION!

Do not turn off the main power switch. This can lead to ice formation and malfunction of the dehumidifier.

5.3 Quick stop

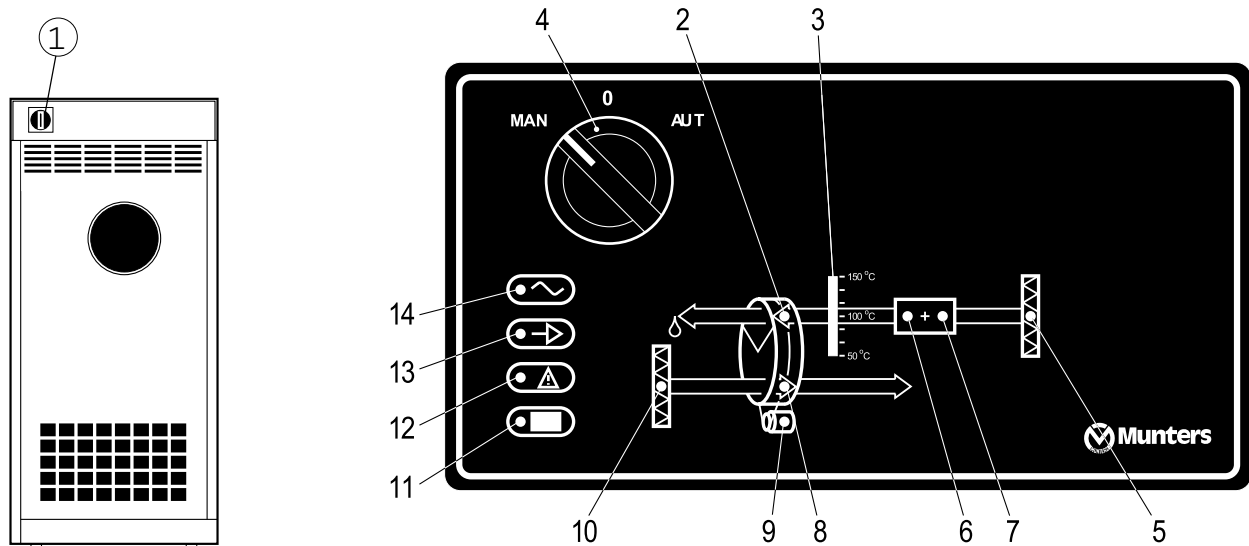
The mode switch is used to start and stop the unit in normal operation. In case of an emergency, use the main power switch on the dehumidifier, see section 5.4, *Operator panel*.



CAUTION!

Only use the main power switch to stop the unit in the case of an emergency. The normal shutdown sequence will not be followed. The fans stop and the heater can be very hot, which can result in damage to the heater and other components close to it.

5.4 Operator panel



Item	Description	Function
1	Main Power Switch	With the main power switch selected to the "0" position, power is removed from the control circuit and the unit cannot be started. With the main power switch selected to the "1" position, power is applied to the control circuit and the dehumidifier can be started using the Mode switch. The main power switch must always be on to avoid build up of ice inside the unit.
2	Reactivation air fan indicator	The reactivation air indicator is on when the fan is running. The indicator will flash to indicate a fan fault.
3	Reactivation air temperature display	Indicates reactivation air temperature.
4	Mode switch	With the mode switch in the "MAN" position, the dehumidifier will operate in the manual mode. In this mode the unit will run continuously (full capacity). With the mode switch in the "O" position, the dehumidifier is switched off. NOTE! AUT (Automatic mode) - not applicable
5	Not applicable	
6	Reactivation heater (Stage 1) Indicator.	The indicator is on when the relevant heater stage is switched on. The indicator will flash to indicate a heater (stage 1) fault.

Item	Description	Function
7	Reactivation Heater (Stage 2) Indicator	The indicator is on when the relevant heater stage is switched on. The indicator will flash to indicate a heater (stage 2) fault.
8	Process Air Fan Indicator	The process air fan indicator is on when the fan is running. The indicator will flash to indicate a fault.
9	Drive motor indicator	The drive motor indicator is on when the rotor drive motor is operating. The indicator will flash to indicate a drive motor fault.
10	Not applicable	
11	Not applicable	
12	Fault warning indicator	<p>When the fault warning indicator is flashing, it indicates that the unit has shut-down due to one of the following faults being detected:</p> <ul style="list-style-type: none"> - Process air fan fault - Reactivation air fan fault - Drive motor fault - Electric reactivation heater (stage 1) fault - Electric reactivation heater (stage 2) fault <p>To assist with fault diagnosis, the corresponding indicator will be flashing.</p> <p>In addition the remote fault output relay will be activated - general indication.</p> <p>For further details refer to section 7, <i>Fault tracing</i>.</p>
13	Unit running indicator	Indicates that the unit is running.
14	Power Connected indicator	Indicates that main power has been connected to the dehumidifier and the main power switch is in the "1" position.

Table 5.1 Functions for operator panel.

5.5 Operating the unit

5.5.1 General



CAUTION!

At initial start-up or when restarting after a service stop, the main power switch must have been on for at least 12 hours before starting. This is necessary to remove any ice build-up inside the unit.



CAUTION!

Before starting the unit, the reactivation air inlet and wet air outlet must be thoroughly checked. Any ice must be removed. To avoid malfunction, it is important to have clear air passage throughout the ductwork.

When the unit is installed into the freezer and the reactivation circuit is connected, the connections have to be blocked until the unit can be started. If this is not done there is risk that there will be ice build up in the reactivation piping.

Before starting the unit, make sure that the reactivation ducting is free of ice.

Power must be connected to the unit as soon as possible to keep the reactivation fan free of ice (heater inside).

Unless the power is connected immediately upon installation, wait a minimum of 12 hours prior to the start of the unit.

5.5.2 Start

1. Ensure the power connected indicator is illuminated
2. Operate the mode switch on the Operator's panel to the MAN position.

NOTE! *The reactivation air fan and reactivation heater will start immediately and will be running for approx. 10 minutes before the process air fan and the drive motor for the rotor start operating.*

3. Check that the following indicators are on:
 - Power connected indicator
 - Unit running indicator
 - Both reactivation heater indicators
 - Process and reactivation air fan indicators
 - Drive motor indicator
4. Allow the unit to run for approximately 10 minutes to ensure that the operating conditions have stabilized and check that the reactivation heater is operating (temperature indicator displays reactivation air temperature).

NOTE! *If the reactivation air temperature is not indicated at all or does not reach above the first quarter of the LED bar graph the reason might be that the airflow is too high. See Airflow Check and Adjustment.*

5.5.3 Restart after power failure

When the power is removed from the unit, or there is a unit stop due to a unit malfunction, the reactivation flow and heater is also stopped.

**CAUTION!**

Do not restart the unit without first leaving the reactivation heater on for 12 hours. Serious damage to the unit can be the result. Without immediate action there is a risk that there will be ice build-up in the reactivation circuit.

To avoid the risk for ice to build up, the in and outlet openings have to be blocked so no moisture can enter the circuit and condensate and freeze up. With high humidity values outside this will create a problem within a few hours.

Contact Munters Service to discuss the best solution how to minimise the effects of a power supply failure.

5.5.4 Stop

1. Operate the mode switch to the “0” position and check that both reactivation heater indicators go out.

NOTE! *In order for the unit to cool down, the reactivation air fan, process air fan and the drive motor will continue to run (after the unit has been switched off) until the temperature has fallen below 50 °C.*

2. Check that when the reactivation air temperature falls below 50 °C, the process air fan, reactivation fan and drive motor indicators go out and that the power indicator remains on.

**CAUTION!**

During stand-by (the mode switch in position 0) the main power switch must always be on to avoid build up of ice inside the unit.

3. In order to dissipate any residual heat, the reactivation air fan and the rotor drive motor will continue to run until the reactivation temperature has fallen below approximately 50 °C.
4. Check that the reactivation air fan and the drive motor stop once the reactivation temperature has fallen below approximately 50 °C. A few minutes delay is normal.

6 Service and maintenance

6.1 Safety



WARNING!

Adjustments, maintenance and repairs must only be carried out by qualified personnel.



CAUTION!

At initial start-up or when restarting after a service stop, the main power switch must have been on for at least 12 hours before starting. This is necessary to remove any ice build-up inside the unit.



CAUTION!

Before starting the unit, the reactivation and wet air inlets and outlets must be thoroughly checked. Any ice must be removed. To avoid malfunction, it is important to have clear air passage throughout the ductwork.

6.2 General

The dehumidifier is designed for continuous use over a long period of time with a minimal amount of supervision. Under normal operating conditions, maintenance requirements are minimal. The service interval depends mainly on the operational conditions and working environment.

See section 6.5, *Service and maintenance schedule* for an example of a standard service and maintenance program.

6.3 Service options

In addition to commissioning of the unit there are four service options (A - D) as standard.

S. Commissioning/start-up.

A. Inspection and if necessary change of filter. General function check.

B. In addition to A, safety check and capacity, temperature and humidity regulation measurements.

C. In addition to B, preventive replacement of some components after 3 years of operation.

D. In addition to C, preventive replacement of some components after 6 years of operation.

NOTE! *Always contact Munters for service or repair. Operating faults can occur if the unit is maintained insufficiently or incorrectly.*

NOTE! *Commissioning/Start-up inspection "S" by Munters is mandatory to validate the full warranty.*

Munters service engineers have special equipment and rapid spare parts access to handle service on all Munters products. All test equipment used by our personnel to ensure proper system balancing is certified for accuracy.

Munters Service can offer a service plan adapted to suit the conditions of a specific installation. See contact addresses on the back page of this manual.

6.4 Extended warranty

Munters offers an extended warranty to the standard terms when the Customer signs a service contract with Munters. Details are available on request.

6.5 Service and maintenance schedule

Service work	Service level	S	A	B	A	C	A	B	A	D
	Operating time in hours	0	4000	8000	12000	16000	20000	24000	28000	32000
	Calendar time in months	0	6	12	18	24	30	36	42	48
Filter replacement and operational checks		X	X	X	X	X	X	X	X	X
Preventive inspection incl. safety check		X		X		X		X		X
Capacity check, rotor inspection						X				X
Replacement of HTCO Thermostats										X
Inspect drive belt and backing rollers, replace if necessary						X				X
Rotor drive motor replacement										X
Fan revision (impellers, motors, bearings)										X
Switch board - control box, operational check		X		X		X		X		X
Check temperature control sensors				X		X		X		X
Rotor covers - rotor seals - connection piece, replacement										X

Table 6.1 Service and maintenance schedule (0 - 48 months)

NOTE! The unit must be removed from the cold storage room at service level C and D.

Service work	Service level	A	B	A	C	A	B	A	D
	Operating time in hours	36000	40000	44000	48000	52000	56000	60000	64000
	Calendar time in months	54	60	66	72	78	84	90	96
Filter replacement and operational checks		X	X	X	X	X	X	X	X
Preventive inspection incl. safety check			X		X		X		X
Capacity check, rotor inspection					X				X
Replacement of HTCO Thermostats									X
Inspect drive belt and backing rollers, replace if necessary					X				X
Rotor drive motor replacement									X
Fan revision (impellers, motors, bearings)									X
Switch board - control box, operational check			X		X		X		X
Check temperature control sensors			X		X		X		X
Rotor covers - rotor seals - connection piece, replacement									X

Table 6.2 Service and maintenance schedule (54 - 96 months)

NOTE! The unit must be removed from the cold storage room at service level C and D.

7 Fault tracing

7.1 General

The purpose of this chapter is to provide guidance in basic fault tracing and provide instructions for corrective actions to remedy any faults. Go through the list below before contacting Munters Service.

7.2 Safety



WARNING!

Adjustments, maintenance and repairs must only be carried out by qualified personnel.



WARNING!

Always switch off the main power switch before removing the unit's panels.

7.3 Fault tracing list

See the wiring diagram for identification of electrical components.

Fault symptom	Indicators	Possible cause	Corrective action
Unit has stopped.	All off.	Power supply failure.	Check the power supply to the unit. If the time of the power failure is not known see section <i>Restart after power failure</i> or call Munters Service before start up.
		Circuit breaker QM25 tripped due to a wiring fault.	If observed immediately, reset the circuit breaker.
		Main power switch (no. 1) is set to "0".	Set the main supply switch to "1" and check that the main connection indicator (no. 14) is lit.
		Transformer TC25 fuse FU26 failure.	Investigate the cause of the fault, and rectify. Replace the fuse. If the fault re-occurs, contact Munters.
		Circuit breaker QM25 tripped due to a wiring fault.	Investigate the cause of the fault, and rectify. Reset QM25.
Unit has stopped.	No. 12 does not flash.	The unit has been set to AUTomatic mode by mistake.	Set the mode switch to MAN ual, and check that the unit starts.
Unit has stopped.	No. 12, 6 and 7 are flashing.	If both indicators 6 and 7 are flashing, it indicates that one (or both) of the high temperature cut-outs (BT27 and BT30) have tripped, due to either an obstruction in the reactivation airflow, or because the reactivation airflow has been set too low.	Leave the unit to cool down. Reset QM12 and QM14 circuit breakers as required. Check that the air inlet and outlet ducts and filters are free from obstructions and are not blocked by ice or dirt. Set the main supply switch to ON to reset the fault warning. Adjust the reactivation airflow.
Unit has stopped.	No. 12 and either 6 or 7 are flashing.	Safety device have tripped due to a heater element or wiring fault.	Switch off the main supply and allow the unit to cool down.
			Investigate the cause of the fault, and rectify.
			Reset QM12 and QM14 as required.
			Switch on the main supply at the main supply switch to reset the fault warning. NOTE! The main power switch must be on for at least 12 hours before the start. This time is required to let the internal heat equipment remove possible ice built up.

Fault symptom	Indicators	Possible cause	Corrective action
Unit has stopped.	No. 12, 2, 8 and/or 9 are flashing.	Safety device has tripped due to one of the following: Fan motor fault Drive motor fault Wiring fault.	Switch off the main supply and allow the unit to cool down.
			Investigate the cause of the fault, and rectify.
			Reset QM16 — reactivation fan. Reset QM21 — process fan and drive motor.
			Switch on the main supply at the main power switch, and start the unit to reset the fault warning. NOTE! The main power switch must be on for at least 12 hours before the start. This time is required to let the internal heat equipment remove possible ice built up. If the fault re-occurs call Munters.

Table 7.1 Fault tracing list

8 Technical specification

8.1 Dimensions and service space

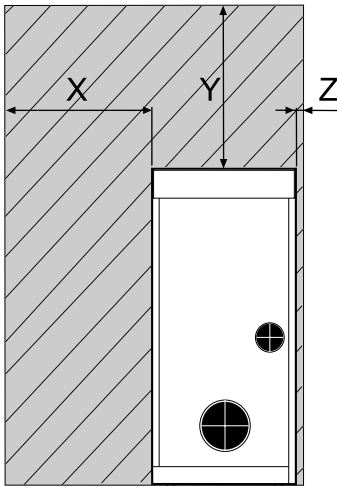
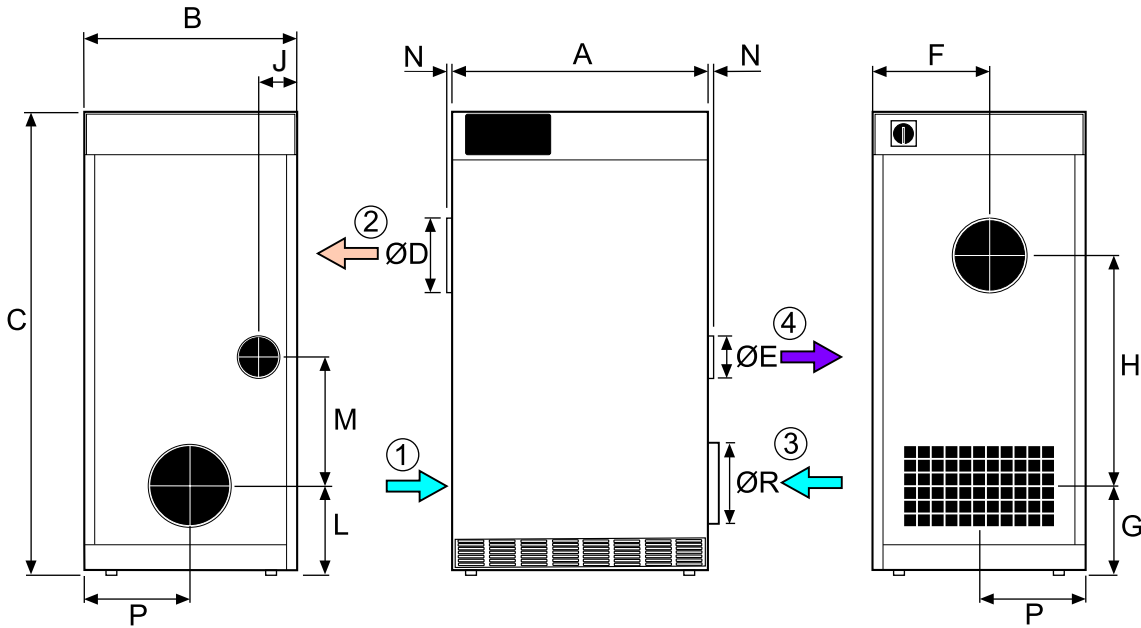


Figure 8.1 Required service space

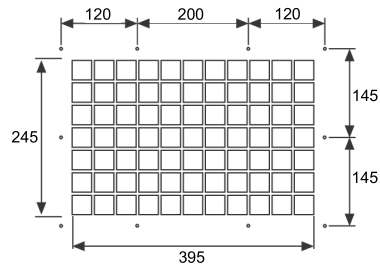


Figure 8.2 Hole pattern

- 1. Process air inlet
- 2. Dry air outlet
- 3. Reactivation air inlet
- 4. Wet air outlet

Model	Dimensions (mm)																Weight (kg)	
	A	B	C	ØD	ØE	ØR	F	G	H	J	L	M	N	P	X ⁽¹⁾	Y ⁽¹⁾		Z ⁽¹⁾
IceDry1400	720	595	1405	200	125	250	272	242	751	112	235	380	40	295	700	500	100	146

(1) Space for service.

8.2 Technical data

Process air ¹	IceDry 1400
Rated airflow (m ³ /s)	0,388
Rated airflow (m ³ /h)	1400
Minimum available static pressure (Pa)	300
Fan motor power (kW) at 50 Hz	1,10
Fan motor power (kW) at 60 Hz	1,32
Reactivation air ¹	
Rated airflow (m ³ /s)	0,071
Rated airflow (m ³ /h)	254
Minimum available static pressure (Pa)	100
Fan motor power (kW) at 50 Hz	0,24
Fan motor power (kW) at 60 Hz	0,29
Rated Current	
Current (Amps/Phase) 3~ 50 Hz 380 V	15,1
Current (Amps/Phase) 3~ 50 Hz 400 V	14,6
Current (Amps/Phase) 3~ 50 Hz 415 V	14,3
Current (Amps/Phase) 3~ 60 Hz 230 V	24,4
Current (Amps/Phase) 3~ 60 Hz 440 V	13,6
Current (Amps/Phase) 3~ 60 Hz 460 V	13,2
Reactivation Heater	
Temperature increase across heater (°C)	95
Reactivation Heater Power (kW)	6,3
Other Technical Data	
Operating range for dehumidifier, ambient temperature (°C)	-25 to +40
Drive motor power (W)	10
Heater reactivation fan housing (W)	240
Heater in electrical cabinet (W)	250
Air filtration (standard)	G3
Electrical protection standard, dust and water resistant (main casing)	IP44
Fan Motor Winding Insulation Class	Class F
Drive Motor Winding Insulation Class	Class F
High Temperature Cut-Out (°C)	160 +/- 5
Contacting coil, voltage (V AC)	24

External (Volt-free) Output Contacts ²	2A, 50 V AC
Max noise level Unducted (dBA)	80
¹ Figures quoted are nominal, based on fan inlet temperature of 20 °C, and an air density of 1.2 kg/m ³ .	
² Contacts on the PCB used to give a remote fault output	

Table 8.1 Technical specifications

8.3 Sound data

Noise for	Correction Kok dB at ISO-band centre frequency, Hz									
	dB(A)	Lwt	63	125	250	500	1000	2000	4000	8000
Duct 1	Na	101	-10	-2	-9	-13	-20	-22	-27	-33
Duct 2	Na	102	-3	-5	-13	-20	-20	-19	-21	-26
Duct 3	Na	94	-5	-6	-5	-17	20	-21	-23	-27
Duct 4	Na	88	-2	-6	-12	-25	-31	-31	-33	-35
Room	64	90	-1	-8	-14	-16	-20	-23	-26	-31

Noise paths to surroundings

1. Ductwork for dry air
2. Ductwork for process air
3. Ductwork for reactivation air
4. Ductwork for wet air

SYMBOLS

Lwt = Total noise level dB (rel. 10-12 W)

Lw = Noise power level in octave band dB (rel. 10-12 W)

Kok = Correction for calculating Lw (Lw = Lwt + Kok)

dB(A) = Rated noise level at 100m² room absorption

9 Scrapping

The unit must be scrapped in accordance with applicable legal requirements and regulations. Contact your local authorities.

The rotor material is not combustible, and should be deposited like glass fibre materials.

If the rotor has been exposed to chemicals that are dangerous to the environment the risk must be assessed. The chemicals can accumulate in the rotor material. Take the necessary precautions to comply with applicable legal requirements and regulations.



WARNING!

If the rotor is to be cut in pieces, wear a suitable CE marked face mask selected and fitted in accordance with the applicable safety standards to protect from the dust.

10 Contact Munters

EUROPE

AUSTRIA	Tel: +43 1 616 4298-92 51 luftentfeuchtung@munters.at	ITALY	Tel: +39 0183 521377 marketing@munters.it
BELGIUM	Tel: +3215285611 service@muntersbelgium.be	NETHERLANDS	Tel: +31 172 433231 vochtbeheersing@munters.nl
CZECH REPUBLIC	Tel: +420 775 569 657 info@munters-odvlhcovani.cz	POLAND	Tel.: + 48 58 305 35 17 dh@munters.pl
DENMARK	Tel: +4544953355 info@munters.dk	SPAIN	Tel: +34 91 640 09 02 marketing@munters.es
FINLAND	Tel: +358 207 768 230 laitemyynti@munters.fi	SWEDEN	Tel: +46 8 626 63 00 kundservice.avfuktning@munters.se
FRANCE	Tel: +33 1 34 11 57 57 dh@munters.fr	SWITZERLAND	Tel: +41 52 343 88 86 info.dh@munters.ch
GERMANY	Tel: +49 (0) 40 879 690 - 0 mgd@munters.de	UNITED KINGDOM	Tel: +44 1480 432 243 info@munters.co.uk

WORLDWIDE

AUSTRALIA	Tel: +61 288431588 dh.info@munters.com.au	MEXICO	Tel: +52 722 270 40 29 munters@munters.com.mx
BRAZIL	Tel: +55 11 5054 0150 www.munters.com.br	SINGAPORE	Tel: +65 6744 6828 singapore@muntersasia.com
CANADA	Tel: +1-800-843-5360 dhinfo@munters.com	SOUTH AFRICA	Tel: +27 11 997 2000 info@munters.co.za
CHINA	Tel: +86 10 804 18000 marketing@munters.cn	TURKEY	Tel: +90 216 548 14 44 info@muntersform.com
INDIA	Tel: +91 20 668 18 900 info@munters.in	UAE (Dubai)	Tel: +971 4 881 3026 middle.east@munters.com
JAPAN	Tel: +81 3 5970 0021 mkk@munters.jp	USA	Tel: +1-800-843-5360 dhinfo@munters.com
KOREA	Tel: +82 2 761 8701 munters@munters.kr		

www.munters.com

